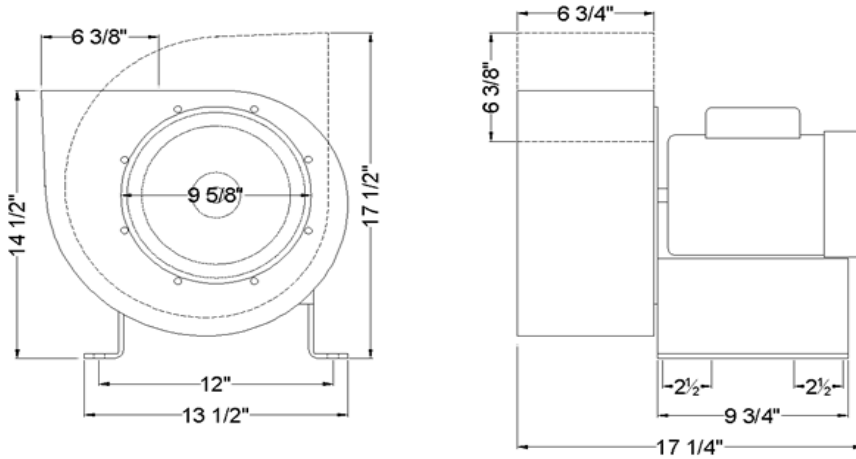




# CALIFORNIA TURBO, INC.

## 9" DIAMETER VARIABLE DISCHARGE BLOWER

### Fan Dimensions:



### Fan Ratings:

Model #	BSM09M115A
HP	1
Hertz	60
RPM	1755
Volts	115
Phase	3
CFM @ 0" W.G.	2,030
CFM @ 1/2" W.G.	1,880
CFM @ 1" W.G.	1,680
WT.-LBS.	85

### Electrical Data:

Volts	115
Nameplate	12.4
Locked Rotor	39.0
Power Factor	77

**Housing:** Scroll, 12 GA. Motor mount/base 10 GA. Hot dip galvanized for durability. Square flange on exhaust for mounting ductwork. Discharge can be rotated in 22½° increments

**Motor:** Open drip proof motor, heavy duty, greasable bearings, Heavy gauge steel frame, Gasketed conduit box

**Impeller:** Heavy duty all steel construction. Forward curved, 9" diameter, 4.5" wide, Browning hub.



NOTE: Electrical and noise data are supplied by the motor and propeller manufacturers, respectively. These values have not been independently verified by California Turbo, Inc. California Turbo, Inc. reserves the right to make product changes from time to time, without prior notification.



10721 Business Drive Fontana, California 92337-8233  
1-800-448-1446

www.californiaturbo.com  
Form Code: BAL001

info@californiaturbo.com

9/17/09