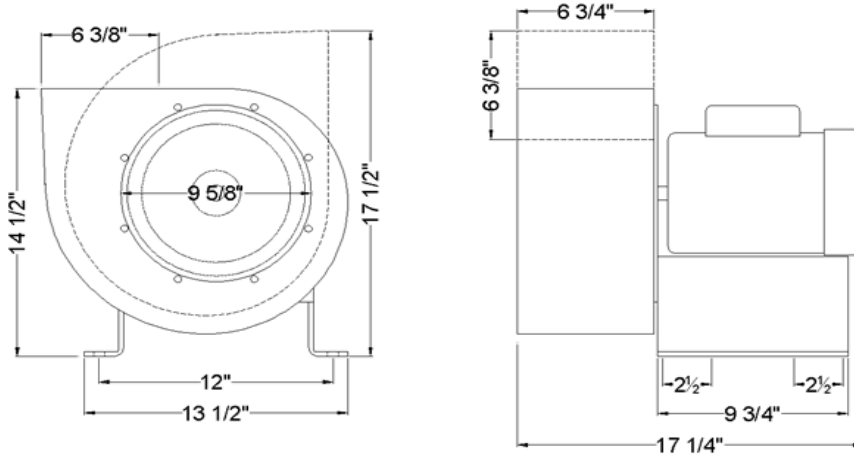




CALIFORNIA TURBO, INC.

9" DIAMETER VARIABLE DISCHARGE BLOWER

Fan Dimensions:



Fan Ratings:

Model #	BSM09N000A
HP	1
Hertz	60
RPM	1755
Volts	208-230/460
Phase	3
CFM @ 0" W.G.	2,030
CFM @ 1/2" W.G.	1,880
CFM @ 1" W.G.	1,680
WT.-LBS.	85

Electrical Data:

Volts	208-230/460
Nameplate	3.6-3.3/1.65
Locked Rotor	31/15.5
Power Factor	69

Housing: Scroll, 12 GA. Motor mount/base 10 GA. Hot dip galvanized for durability. Square flange on exhaust for mounting ductwork. Discharge can be rotated in 22½° increments

Motor: Open drip proof motor, heavy duty, greasable bearings, Heavy gauge steel frame, Gasketed conduit box

Impeller: Heavy duty all steel construction. Forward curved, 9" diameter, 4.5" wide, Browning hub.



NOTE: Electrical and noise data are supplied by the motor and propeller manufacturers, respectively. These values have not been independently verified by California Turbo, Inc. California Turbo, Inc. reserves the right to make product changes from time to time, without prior notification.



10721 Business Drive Fontana, California 92337-8233
1-800-448-1446

www.californiaturbo.com
Form Code: BAL001

info@californiaturbo.com

9/17/09