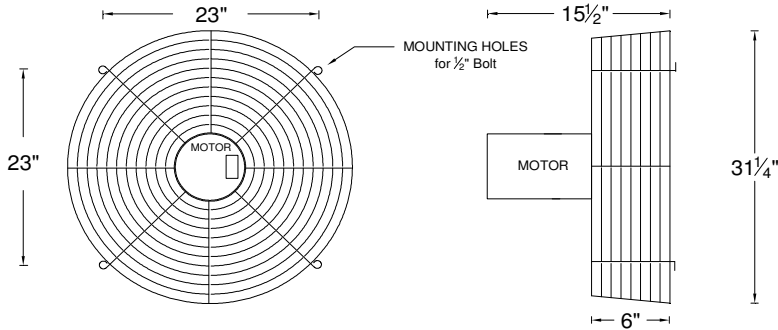


# **CFMASTER**

## 27" DIAMETER TRANSFORMER COOLING FAN

### Fan Dimensions:



### Fan Ratings:

Model #	CFM27C000CS	
HP (kW)	1/6 (.124)	
Hertz	50	60
RPM	950	1140
Volts	115/208-230	115/208-230
Phase	1	1
CFM*	4,760	5,740
dbA** @ 6'	51	56
dbA** @ 10'	47	52
WT.-LBS.	58	58

### Electrical Data:

	Phase	1	1
	Hertz	50	60
	Volts	115/208-230	115/208-230
AMPS	Running	2.8/1.5-1.4	2/1.1-1
	Nameplate	2.8/1.5-1.4	2/1.1-1
	Starting/ Locked Rotor	7.6/3.44-3.8	6.9/3.12-3.45
	Power Factor	72	90

**Guard:** Heavy duty hot dip galvanized carbon steel basket with discharge guard. Ribs are 0.375" with 0.25" and 0.148" rings. OSHA compliant (no openings greater than 1/2").

**Motor:** Totally enclosed, weatherproof, 48 Frame with a 56C-face, 5/8" stainless steel shaft, sealed ball bearings permanently lubricated, Class F insulation, condensation drain holes. Automatic overload protection. Foot mounted adapters are available.

**Propeller:** 4 Blades, die-cast aluminum, with a true airfoil design, clockwise rotation as viewed from the motor side.



\* Test Method: AMCA 210-99, fig. 12/ ISO 5801, fig. 71b, fan installation type A, free inlet and free outlet. Other impeller arrangements will affect the performance.

\*\* Sound levels listed here were determined under laboratory conditions. Many factors can influence fan sound levels that are beyond the control of the propeller manufacturer or California Turbo, Inc; including inlet geometry and obstructions in the airflow. Please use this information for comparison purposes only.

NOTE: Electrical and noise data are supplied by the motor and propeller manufacturers, respectively. These values have not been independently verified by California Turbo, Inc. California Turbo, Inc. reserves the right to make product changes from time to time, without prior notification.



**California Turbo, Inc.**

10721 Business Drive Fontana, California 92337-8233

www.californiaturbo.com

(909)854-2800

info@californiaturbo.com

Form Code: LEE001

(909)854-2801 fax

4/18/07