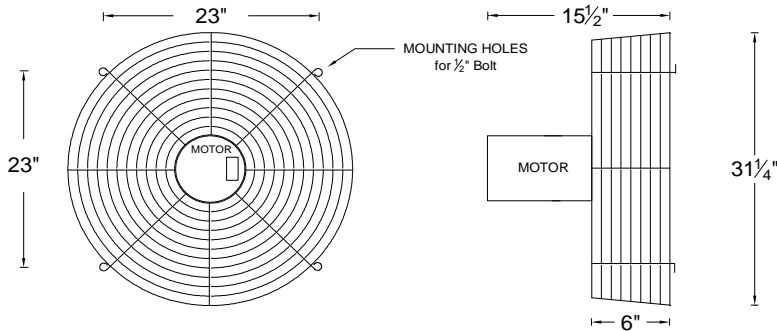


CFMASTER

27" DIAMETER TRANSFORMER COOLING FAN

Fan Dimensions:



Fan Ratings:

Model #	CFM27J415AS
HP (kW)	1/2 (.373)
Hertz	50
RPM	1425
Volts	415
Phase	3
CFM*	10,680
dbA** @ 6'	70
dbA** @ 10'	66
WT.-LBS.	60

Electrical Data:

Phase	3	
Hertz	50	
Volts	415	
AMPS	Running Nameplate	1
	Starting/ Locked Rotor	5.8
Power Factor	68	
Consumption (W)	487	

Guard: Heavy duty hot dip galvanized steel basket with discharge guard. Ribs are 0.375" with 0.25" and 0.148" rings. Attached with 3/8" stainless steel bolts. OSHA compliant (no opening greater than 1/2", IP-20).

Motor: Totally enclosed, weatherproof, 56 Frame with a NEMA C-face, 5/8" stainless steel shaft, sealed ball bearings permanently lubricated, Class F insulation, condensation drain holes. Automatic overload protection. Motor has CE mark, UL and CSA listed. Foot mounted adapters are available.

SPECIAL IP-55 MOTOR (TESTED TO CE/IEC 60529: 2001)
MANUFACTURED BY LEESON ELECTRIC.

Propeller: 2 Blades, die-cast aluminum, with a true airfoil design, clockwise rotation as viewed from the motor side.
Optimized for 50Hz operation



* Test Method: AMCA 210-99, fig. 12/ ISO 5801, fig. 71b, fan installation type A, free inlet and free outlet. Other impeller arrangements will affect the performance.

** Sound levels listed here were determined under laboratory conditions. Many factors can influence fan sound levels that are beyond the control of the propeller manufacturer or California Turbo, Inc; including inlet geometry and obstructions in the airflow. Please use this information for comparison purposes only.

NOTE: Electrical and noise data are supplied by the motor and propeller manufacturers, respectively. These values have not been independently verified by California Turbo, Inc. California Turbo, Inc. reserves the right to make product changes from time to time, without prior notification.
MDCAS3WJL or MDCAS3WJB / PR272AL40



California Turbo, Inc.

10721 Business Drive Fontana, California 92337-8233

(909)854-2800

(909)854-2801 fax

www.californiaturbo.com

info@californiaturbo.com

Form Code: LEE001

1/15/12