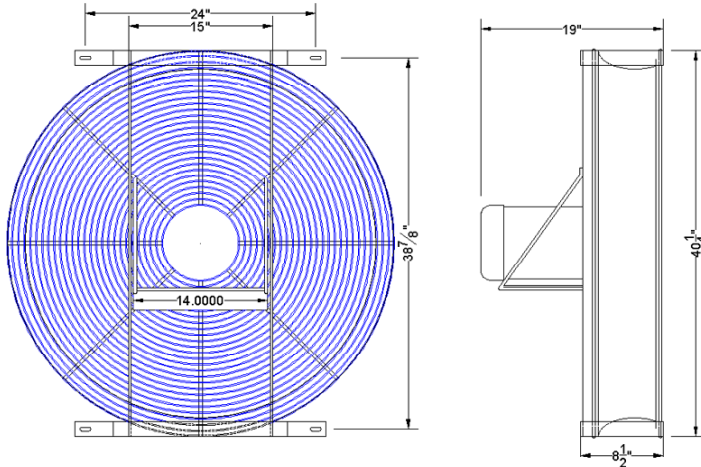


CFMASTER

36" DIAMETER 'J' SERIES TRANSFORMER COOLING FAN

Fan Dimensions:



Fan Ratings:

Model #	JCF36N460B
HP (kW)	1 (0.745)
Volts	460
Phase	3
Hertz	60
CFM*	14,300
dbA** @ 6'	64
dbA** @ 10'	59
WT.-LBS.	115

Electrical Data:

	Volts	460
	Hertz	60
	Phase	3
AMPS	RPM	1140
	Running	1.8
	Nameplate	1.8
	Starting	8.6
	Locked Rotor	8.6
	Service Factor	1.15

Guard: Galvanized steel venturi type with inlet and discharge guard. OSHA compliant.

Motor: Totally Enclosed Fan Cooled, 184 Frame, foot mount, 7/8" shaft, ball bearings able to be relubricated, Class B insulation, Gasketed conduit box

Propeller: Three aluminum blades, true airfoil design, clockwise rotation as viewed from the motor side



* Test Method: AMCA 210-99, fig. 12/ ISO 5801, fig. 71b, fan installation type A, free inlet and free outlet. Other impeller arrangements will affect the performance.

** Sound levels listed here were determined under laboratory conditions. Many factors can influence fan sound levels that are beyond the control of the propeller manufacturer or California Turbo, Inc; including inlet geometry and obstructions in the airflow. Please use this information for comparison purposes only.

NOTE: Electrical and noise data are supplied by the motor and propeller manufacturers, respectively. These values have not been independently verified by California Turbo, Inc. California Turbo, Inc. reserves the right to make product changes from time to time, without prior notification.



10721 Business Drive Fontana, California 92337-8233
1-800-448-1446

www.californiaturbo.com

Form Code: BAL001

info@californiaturbo.com

5/4/06