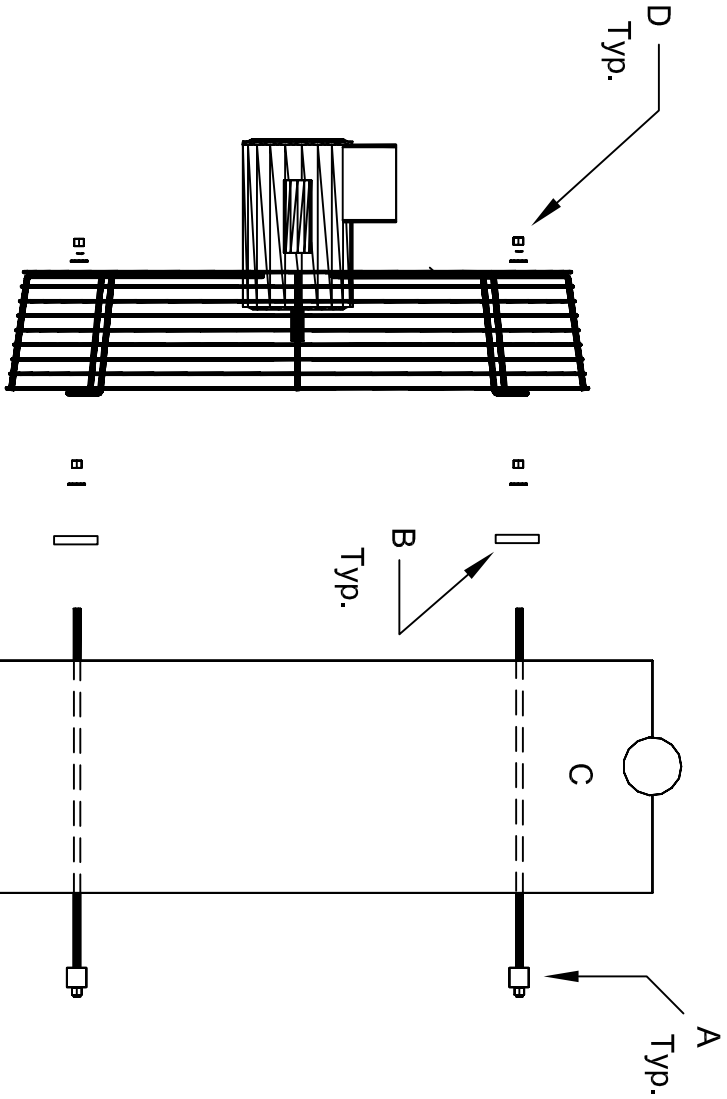


**NOTES:**

- 1) Square tube and all-thread rod are pre-assembled
- A) Square tube, Qty 4  
8" x 1" x 1"
- B) Flat bar, Qty 2  
27" x 1 1/2" x 1/4"
- C) All-thread rod, Qty 4
- D) Hardware  
3/8"-16 Hex nuts, Qty 8  
3/8" Lock washers, Qty 8  
3/8" Flat washers, Qty 4




**CALIFORNIA TURBO, INC.**  
 10721 Business Drive, Fontana, CA 92337 USA  
 Tel: 909-854-2800 Fax: 909-854-2801

**Mounting Bracket Kit**  
**- 24" Flat Bar -**

Size: A	DWG. NO. 20018	REV. 05/11/05
Scale: NTS	DATE: 05/14/01	Sheet: 1 of 1