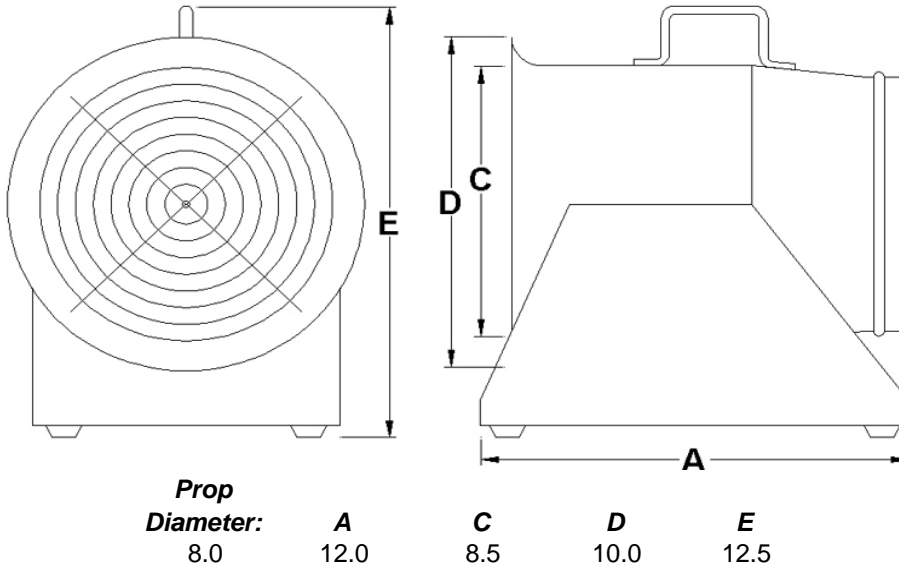


8" DIAMETER PORTABLE BLOWER

Vane Axial Fan

Fan Dimensions:



Fan Ratings:

| | |
|----------|-------------|
| Model # | PBF08A115A |
| HP (kW) | 1/8 (0.093) |
| Hertz | 60 |
| RPM | 3450 |
| Volts | 115 |
| Phase | 1 |
| WT.-LBS. | 23 |

CFM: *

| | |
|--------------------------|-----|
| 8" x 15' Duct, No Bend | 731 |
| 8" x 15' Duct, One Bend | 488 |
| 8" x 15' Duct, Two Bends | 428 |
| dbA** @ 6' | 71 |
| dbA** @ 10' | 66 |

Electrical Data:

| | |
|--------------------|-----------|
| Volts/ Hz | 115/ 60 |
| Phase | 1 |
| HP | 1/8 |
| RPM | 3450 |
| Running/ Nameplate | 1.26 Amps |

* Airflow tested and certified by COLORADO ENGINEERING EXPERIMENT STATION according to AMCA Standard 210-67 and AT&T E.L. 2723/P.L. 2709

Guard: Bright Plated Steel, Inlet side, All openings less than 0.50"

Motor: Totally enclosed air-over, shielded ball bearings permanently lubricated with high temp grease, Class F insulation, 1.15 Service Factor, automatic temperature overload. UL listed
10' SO cord with grounded plug.

Housing: Aluminum housing and vanes, heat treated for durability. Steel base with rubber feet for quiet operation. Bright yellow powder coated, steel handle.

Propeller: 6 Blades, Fiberglass reinforced resin, die-cast aluminum hub, with true airfoil design, clockwise rotation as viewed from the motor



** Sound levels listed here were determined under laboratory conditions. Many factors can influence fan sound levels that are beyond the control of the propeller manufacturer or California Turbo, Inc; including inlet geometry and obstructions in the airflow. Please use this information for comparison purposes only.

NOTE: Electrical and noise data are supplied by the motor and propeller manufacturers, respectively. These values have not been independently verified by California Turbo, Inc. California Turbo, Inc. reserves the right to make product changes from time to time, without prior notification.



10721 Business Drive Fontana, California 92337-8233
1-800-448-1446

www.californiaturbo.com

info@californiaturbo.com

Form Code: PBF

11/13/07