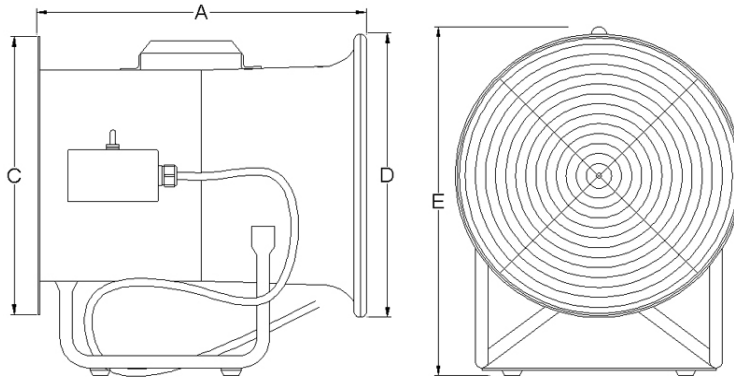


12" DIAMETER PORTABLE BLOWER

Two-speed Vane Axial

Fan Dimensions:



Prop Diameter:	A	C	D	E
	12.0	17.5	14.0	14.25
				17.0

* Airflow tested and certified by COLORADO ENGINEERING EXPERIMENT STATION according to AMCA Standard 210-67 and AT&T E.L. 2723/P.L. 2709

Guard: Zinc plated, OSHA compliant. Easily removable with one screw stainless steel clamp

Motor: Totally enclosed fan cooled, two-speed, 56C frame, 5/8" shaft, permanently lubricated sealed ball bearings, Class F insulation, 1.15 Service Factor UL and CSA listed
Weatherproof aluminum junction box for switch, 10' SO cord with grounded plug.

Housing: Aluminum housing and vanes, heat treated for durability. Steel base with rubber feet for quiet operation. Bright yellow powder coated, steel handle.

Propeller: 5 Blades, die-cast polyamide, with a true airfoil design, counter clockwise rotation as viewed from the motor side.

Fan Ratings:

Model #	PBF121115B
HP	0.5/0.22
Hertz	60
Volts	115
Phase	1
WT.-LBS.	45

CFM*

12" x 15' Duct, No Bend	1,550	1895
12" x 15' Duct, One Bend	1000	1347
12" x 15' Duct, Two Bends	931	1249
8" x 15' Duct, No Bend	1235	1633
8" x 15' Duct, One Bend	450	617
8" x 15' Duct, Two Bends	426	586
dbA** @ 6'	55	61
dbA** @ 10'	50	56

Electrical Data:

Volts/ Hz	115/ 60	
Phase	1	
HP	0.22	0.5
RPM	2,650	3,450
Running/ Nameplate	4.0 A	4.8 A



** Sound levels listed here were determined under laboratory conditions. Many factors can influence fan sound levels that are beyond the control of the propeller manufacturer or California Turbo, Inc; including inlet geometry and obstructions in the airflow. Please use this information for comparison purposes only.

NOTE: Electrical and noise data are supplied by the motor and propeller manufacturers, respectively. These values have not been independently verified by California Turbo, Inc. California Turbo, Inc. reserves the right to make product changes from time to time, without prior notification.



California Turbo, Inc.

10721 Business Drive Fontana, California 92337-8233

(909)854-2800

(909)854-2801 fax

www.californiaturbo.com

Form Code: LEE001

info@californiaturbo.com

8/13/07