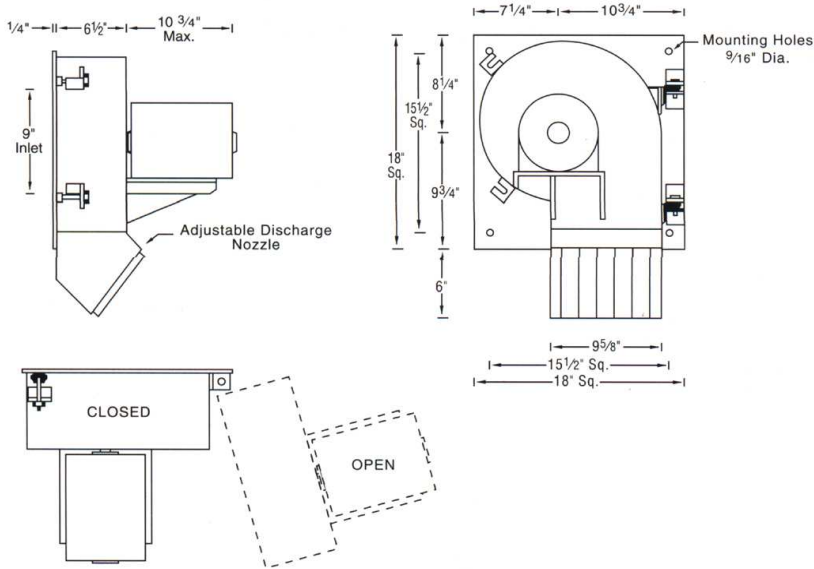




CALIFORNIA TURBO, INC.

9" DIAMETER SWING-OUT BLOWER

Fan Dimensions:



Fan Ratings:

Model #	SWB09E000I
HP	1/4
Hertz	60
RPM	850
Volts	115
Phase	1
CFM @ 0" W.G.	1,360
CFM @ 1/4" W.G.	1,050
WT.-LBS.	85

Electrical Data:

	Volts	115
AMP	Nameplate	6.90
	Locked Rotor	13.40

Housing: 14 gauge carbon steel, hot dip galvanized
1/4" back plate
Includes adjustable discharge nozzle

Motor: Open drip proof motor, heavy duty, Heavy gauge steel frame, Gasketed conuit box and capacitor cover

Impeller: Forward curved, 9" diameter, 4.5" wide, Browning hub



* Test Method: AMCA 210-99, fig. 12/ ISO 5801, fig. 71b, fan installation type A, free inlet and free outlet. Other impeller arrangements will affect the performance.
NOTE: Electrical and noise data are supplied by the motor and propeller manufacturers, respectively. These values have not been independently verified by California Turbo, Inc. California Turbo, Inc. reserves the right to make product changes from time to time, without prior notification.



10721 Business Drive Fontana, California 92337-8233
1-800-448-1446