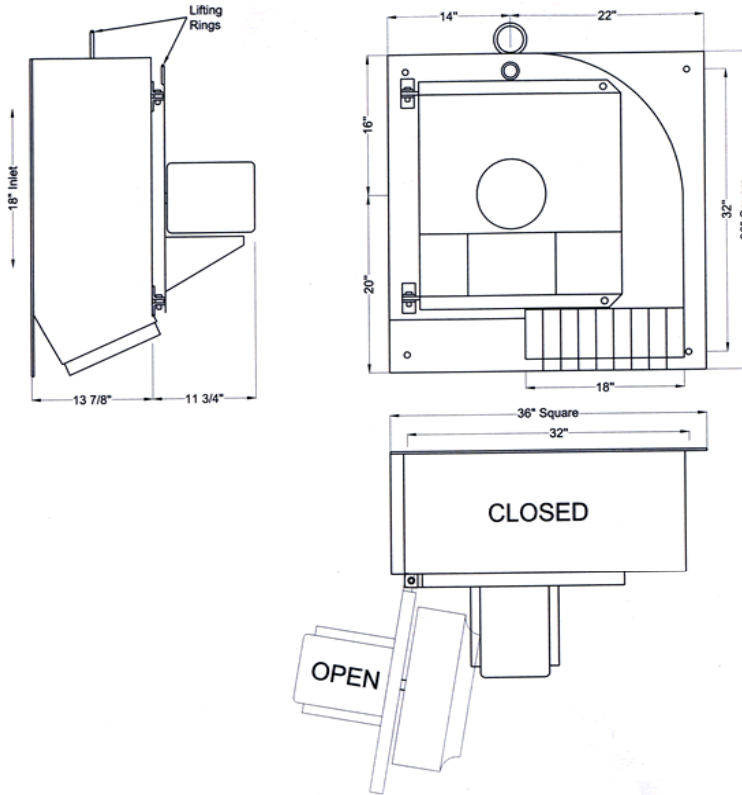




CALIFORNIA TURBO, INC.

18" DIAMETER SWING-OUT BLOWER

Fan Dimensions:



Fan Ratings:

| | |
|-----------------|-------------|
| Model # | SWB18P000H |
| HP | 1.5 |
| Hertz | 60 |
| RPM | 1160 |
| Volts | 208-230/460 |
| Phase | 3 |
| CFM @ 0" W.G. | 4,280 |
| CFM @ 1/2" W.G. | 3,810 |
| CFM @ 1" W.G. | 3,300 |
| WT.-LBS. | 235 |

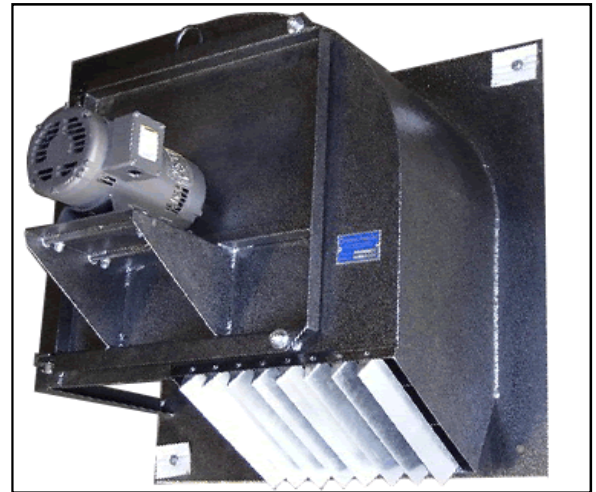
Electrical Data:

| | |
|------------------|-------------|
| Volts | 208-230/460 |
| AMP Nameplate | 5.5-5.2/2.6 |
| AMP Locked Rotor | 26/13 |
| Power Factor | 64 |

Housing: 14 gauge carbon steel, Polyester Powder Coat

Motor: Open drip proof motor, heavy duty, greasable bearings, Heavy gauge steel frame, Gasketed conduit box

Impeller: Backward Inclined, 18" diameter, 5" wide



* Test Method: AMCA 210-99, fig. 12/ ISO 5801, fig. 71b, fan installation type A, free inlet and free outlet. Other impeller arrangements will affect the performance.

** Sound levels listed here were determined under laboratory conditions. Many factors can influence fan sound levels that are beyond the control of the propeller manufacturer or California Turbo, Inc; including inlet geometry and obstructions in the airflow. Please use this information for comparison purposes only.

NOTE: Electrical and noise data are supplied by the motor and propeller manufacturers, respectively. These values have not been independently verified by California Turbo, Inc. California Turbo, Inc. reserves the right to make product changes from time to time, without prior notification.



10721 Business Drive Fontana, California 92337-8233

1-800-448-1446

www.californiaturbo.com

info@californiaturbo.com

Form Code: BAL001

4/4/07